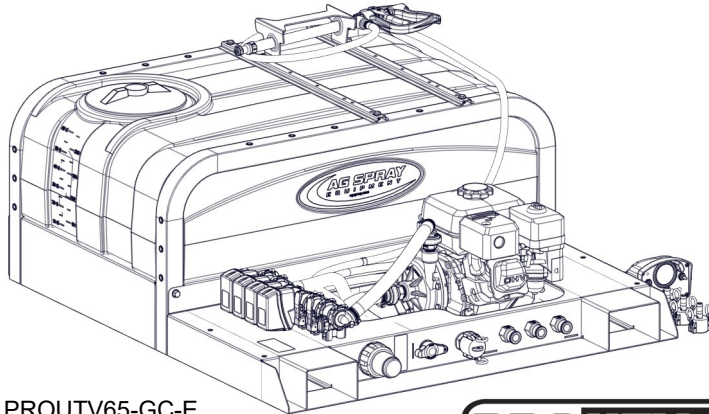


OWNER'S MANUAL

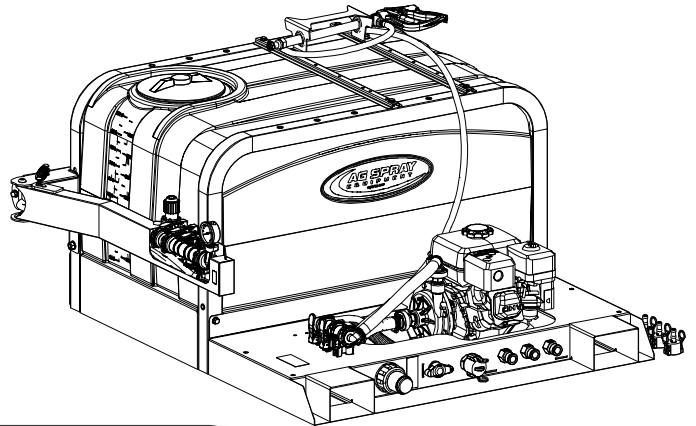
Gas Pro UTV Sprayers

Model: PROUTV65-GC-E (5303227)
Model: PROUTV105-GC-E (5303232)
 (UTV Sprayer, GE-85, Electric)



PROUTV65-GC-E
Shown

Model: PROUTV65-GC-M (5303226)
Model: PROUTV105-GC-M (5303231)
 (UTV Sprayer, GE-85, Manual)



PROUTV105-GC-M
Shown

PROUTV SPRAYER

AG SPRAY PRO SERIES

General Information

Thank you for purchasing this product. The purpose of this manual is to assist you in operating and maintaining your UTV sprayer.



WARNING: Cancer and Reproductive Harm.
www.P65Warnings.ca.gov



WARNING: To reduce the risk of injury, the user must read and understand the operator's manual before using this product.

BEFORE RETURNING THIS PRODUCT FOR ANY REASON, PLEASE CALL

BAKERSFIELD, CA 877-724-2236	COLUMBUS, NE 800-274-1025	DOTHAN, AL 800-227-4098
FARGO, ND 701-280-2862	HOPKINSVILLE, KY 800-637-7172	MANKATO, MN 507-388-6295
NEWTON, KS 800-394-7662	PASCO, WA 800-634-2026	TEMPE, AZ 877-974-7166

If you should have a question or experience a problem with your Ag Spray Product: Visit our website @ www.agspray.com or call the Toll free number above. Our technical support representatives will be happy to help you.

In most cases a customer service rep. can resolve the problem over the phone.

To obtain prompt, efficient service, always remember to give the following information....

- Correct Part Description and/or part number
- Model number and Serial Number

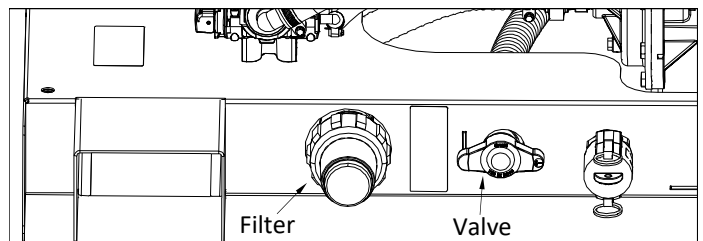
Part descriptions and numbers can be obtained from the illustrated parts list section(s) of this manual.

Retain a copy of your receipt for your unit, as it will be required to validate any warranty service.

Warranted against manufacturer or workmanship defects from date of purchase with copy of receipt:

Homeowner Usage: One Year

Commercial Usage: 90 Days.



IMPORTANT REMINDER

Sprayer comes with a valve located on intake line. Make sure the valve is in the "open" position before using this sprayer. Close this valve when cleaning strainer.



www.agspray.com

[5195667

(11/22)]

PROUTV SPRAYER

AG SPRAY PRO SERIES

Contents

Technical Specs.....	3	PROUTV65/105-GC-E Parts List.....	9
Assembly and Testing the Sprayer/Operation.....	3	PROUTV65/105-GC-E Dimensions.....	10
Maintenance and Tank Care.....	4	PROUTV65/105-GC-M Exploded Views.....	11 - 12
Winter Storage	5	PROUTV65/105-GC-M Parts List	13
Troubleshooting	5	PROUTV65/105-GC-M Dimensions	14
Pump Exploded View/Parts List.....	6	Boom Mount Kit Exploded View/Parts List.....	14
PROUTV65/105-GC-E Exploded Views	7 - 8	Warranty	16

Gas Pro UTV Sprayers

Model: PROUTV65-GC-E (5303227)

Model: PROUTV105-GC-E (5303232)

(UTV Sprayer, GE-85, Electric)

Approx. Sprayer Weight when filled w/water

PROUTV65-GC-E: 785 Lbs.

PROUTV105-GC-E: 1,140 Lbs.

Always check the vehicle load rating before using this sprayer. Do not exceed the recommended rating.

Model: PROUTV65-GC-M (5303226)

Model: PROUTV105-GC-M (5303231)

(UTV Sprayer, GE-85, Manual)

Approx. Sprayer Weight when filled w/water

PROUTV65-GC-M: 850 Lbs.

PROUTV105-GC-M: 1,200 Lbs.

Always check the vehicle load rating before using this sprayer. Do not exceed the recommended rating.

~~~~~IMPORTANT~~~~~

Remove tank lid and be sure the tank is clean and free of any foreign material. Rinse tank out of any tank residue before filling with water to test.

~~~~~IMPORTANT~~~~~

It is VERY important to test this sprayer with plain water before actual spraying is attempted. This will enable you to check the sprayer for leaks without the possibility of losing any expensive chemicals.

~~~~~WARNING~~~~~



Read and Understand the Owner's Manual before using this sprayer. Test and use in accordance to instructions.

Read and Follow chemical label instructions and wear protective gear when filling, using, cleaning and servicing the sprayer.

Exercise Caution in vehicle handling when towing/hauling a filled sprayer to avoid loss of control or overturning.

Keep Sprayer and Spray materials away from other people, children and pets.

Do Not Turn on Power to the sprayer, until ready to spray in order to avoid unintentional spray release.

Do Not Use on steep slopes. A full sprayer could cause loss of control or overturn sprayer and vehicle.

Always operate up and down a slope, never across the face of a slope.

Keep all movement on slopes slow and gradual. Do not make sudden changes in speed, directions or turning. Do not start or stop suddenly when going uphill or downhill.

Stop on level ground, set the parking brake and shut off engine before leaving the operator's position for any reason.

Keep all parts in good condition and properly installed. Fix damaged or worn parts immediately.

Caution should be taken when towing and/or using any sprayer. This sprayer combined with the weight distribution, turning radius and speed of vehicle can result in damage to vehicle and/or sprayer or severe injury or death, if not used properly.

Improper use of this sprayer or handling of chemicals could result in serious injury or illness, or could cause damage to the environment.



Technical Specifications

- 65 or 105 Gallon Corrosion-Resistant Polyethylene Tank
- ProSeries 22" HP Long Range Ergonomic Handgun
- 25 Ft. Handgun Hose
- 27 Ft. Max. Vertical Throw, 38 Ft. Horizontal Throw
- Molded-In Tank Baffle w/Sloped Floor
- Molded-In Outlet Fitting for Complete Cleanout
- Electric or Manual Valves
- Manual has 3-Section Control Swing Arm w/Position Detents
- Tank Agitator

OPTIONS

- 50' Manual Hose Reel w/180° Swivel
- Booms: Traditional 13' to 28' or Boomless 40' Coverage

The PROFESSIONAL SERIES is designed with many features to make operation more user friendly with years of trouble free use.

IMPORTANT REMINDER:

Add proper oil to the engine crankcase and gasoline to the gas tank. Refer to the engine manual for the correct type and amount.

Assembly Instructions

The sprayer is assembled already at the factory. The only assembly you will need to do is attaching optional boom or hose reel when purchased.

Read the operating instructions and then run the sprayer using only water for testing. When everything tests all right, add the desired chemical mixture and water combination and start the spraying operation.

IMPORTANT: Remove tank lid and be sure the tank is clean and free of any foreign material. Rinse tank out of any tank residue before filling with water to test.

Testing the Sprayer/Operation

NOTE:

It is important to test this sprayer for leakage and proper spray patterns with plain water before chemical application is attempted. This will also give you the opportunity to familiarize yourself with the operation of the sprayer, without the possibility of losing any expensive chemicals.

1. Fill the tank about 1/2 full with plain water.

Only fill the tank with what you're going to spray in a day, never leave chemicals sit in tank.

2. Open the valve in the suction line and allow water to flow to the pump. The valve is located at this point to enable the strainer to be taken apart for cleaning, while solution remains in the tank.

CAUTION: Always be sure that the water (or solution) has reached the pump before starting your sprayer. If the pump is allowed to run dry, serious damage to the pump will result. Do not run your sprayer with the spray nozzle line closed AND the bypass line closed. Doing this will damage the pump.

3. It is always best to start the sprayer at little or no pressure. Opening of the bypass line will decrease pressure and closing it will increase pressure.

The bypass line is the "pressure control" for the entire plumbing system. The more it is open, the lower your line pressure. Almost fully closed provides maximum pressure to your boom and/or spray nozzle. **NEVER run your system with this valve 100% closed.**

4. You may now start the sprayer engine following the engine manufacturers instructions. Let the sprayer run at low pressure until water has reached the spray nozzle and all air has been purged from the system.
5. The pressure should now be increased to 15 - 57 PSI. Operate the sprayer at this increased pressure for 3 to 5 minutes, thoroughly testing the unit before adding chemicals.

When everything tests all right (no leaks and good pressure), add the desired chemicals to the mixture and water combination and start your spraying operation. Adjust the pressure and spray as you did in the testing procedure. The sprayer should now be ready to use.

(Continued next Page)

Conditions of weather and terrain must be considered when setting the sprayer. Do not spray on windy days. Protective clothing must be worn in some cases

Be sure to read the chemical label(s) before application!

Ace Polypropylene Gas Engine Driven Centrifugal Pump

Maximum Fluid Temperature: 140°F

Do NOT Use with Flammable Liquids.

Do Not Run with Flow Shutoff for Extended Periods - Running the pump with no flow for extended periods of time will result in excessive heat and pump failure. Running the pump with flow shutoff for more than 5 minutes causes the fluid temperature to rise and melt pump components. Bypass is recommended for low flow applications.

Do Not Run Dry - Seal damage or failure will result from running dry. Impeller damage may also occur if run dry for an extended period of time.

NOTE: Refer to the engine Owner's Manual for proper operation and safety precautions.

To help prime the pump, keep the inlet or suction line as short as possible with a minimum of bends, elbows and kinks. Make sure all connections are tight and do not leak air. Make sure the line strainer is free of debris. If pump does not self-prime, disconnect suction hose, fill with water and reconnect to liquid source.

Maintenance During/After Spraying

Periodically close the suction line valve and check the line strainer and clean the screen. Stop the engine and shut off the valve near the strainer. Remove the bowl and screen portions of the strainer and wash them free from all impurities. You may also drain the tank by removing the female camlock dust cap. Then open the valve and pour the contents into another container. Read the chemical label for disposal instructions.

Proper care and maintenance will keep your pump wear at a minimum and will keep it running smoothly and trouble-free for a long time and prolong the life of your sprayer.

After use, fill the sprayer tank part way with water. Start the sprayer and allow the water to pump through the entire plumbing system and nozzles. Drain and then refill half full with plain water, add the recommended amount of good quality tank cleaner such as FIMCO Sprayer Tank Neutralizer and Cleaner. (If no tank cleaner is available, you may substitute dish soap for this step, about 1-2 oz. per gallon). But a neutralizer/cleaner should be used to thoroughly clean the system. Turn sprayer on and circulate through system for 15 minutes and then spray out through spray nozzle (and boom nozzles if applicable). Refill tank half way with clean water and repeat. Follow the chemical manufacturer's disposal instructions of all wash or rinsing water.

For the boom (if applicable) remove the tips and screens from the nozzle assemblies. Wash these items out thoroughly. Blow the orifice clean and dry. If the orifice remains clogged, clean it with a fine bristle (NOT WIRE) brush or with a toothpick. Do not damage the orifice. Water rinse and dry the tips before storing.

Flush the pump after each use. One of the common causes of faulty pump performance is "gumming" or corrosion inside the pump. Flush the pump with a solution that will neutralize liquid pumped.

WARNING: Never pump corrosive or abrasive liquids as these will cause rapid wear or deterioration in the pump. Never run pump dry. Some chemicals will damage the pump valves if allowed to soak untreated for a length of time! ALWAYS flush the pump as instructed after each use. DO NOT allow chemicals to sit in the pump for extended times of idleness. Failure to follow this warning will void the product warranty.

Follow the chemical manufacturer's instructions on disposal of all waste water from the sprayer.

Tank Care & Maintenance

Warning: Do not use the tank as a container for fuel oils, kerosene, gasoline or any other petroleum distillate product. All polyolefins are softened and permeated by such products. In an enclosed area the vaporization of these materials from the outside surface of the tank could create a dangerous condition.

The tank should not be used as a pressure vessel nor used with chemicals or solutions having a weight of more than 12 pounds per gallon.

Store the tank in a dry dark place when not in use. Storage out of sunlight will prolong the life of the tank.

Do not drop, strike or kick the tank, especially at low temperatures. Tanks become brittle and are subject to cracking at temperatures below 20° Fahrenheit.

Always flush the tank with water and a neutralizing agent at the end of each use, to prevent contamination of solutions.

Winter Storage

Prepare the sprayer for end-of-season storage by running RV antifreeze through the system. This will keep internal parts lubricated, protect against corrosion and keep the unit from freezing. *Note: RV antifreeze is non-toxic and biodegradable and generally safer for the environment than automotive antifreeze.*

Before storing your sprayer for winter or long term storage, thoroughly clean and drain it as much as possible. Then pour enough pink RV antifreeze into the tank so that when the pump is turned on you can pump the antifreeze throughout the entire plumbing system, including the pressure adjust (bypass) line. Make sure to operate the boom and handgun until you see pink fluid spraying from the nozzles. Leave any remaining antifreeze in the tank. Before your next usage, rinse the antifreeze from the sprayer with clean water.

It is nearly impossible to drain all of the water from the sprayer and any trapped water can freeze in cold weather and damage parts of the sprayer. Pumping the antifreeze through the system will displace the water and help prevent this damage.

Removing from storage: drain the antifreeze. Fill the tank with fresh water and run through the system. Dispose of anti-freeze and flush water properly.



- Clean and rinse your pump after each use with Fimco Tank Neutralizer
- Winterize your pump or sprayer by rinsing, draining and running RV Antifreeze through it before storing for the winter.
- Use clean water for your spray mixture
- Store inside a building when not in use.

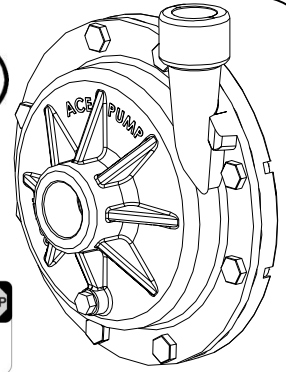


- Use to pump bleach.
- Use to pump petroleum products such as diesel fuel, gasoline or kerosene.
- Leave pump sit with spray mixture in it for extended periods.
- Use dirty or unfiltered water for spraying.

Troubleshooting		
Symptom	Probable Cause(s)	Corrective Action
Pump Does Not Prime	Leak in suction line	Check hose and fittings for leaks and correct
	Strainer or suction line clogged	Clean strainer, Inspect hose for debris or loose inner liner
	Pump worn	Replace or repair pump
	Gasket worn, leaking air	Replace
Loss of Pressure	Clogged suction strainer	Check strainer and clean it regularly
	Kinked or blocked suction hose	Inspect suction hose and repair as necessary
	Air leak in inlet side plumbing	Check hose and connections for leaks
	Gasket leaks air	Replace
	Agitation not tuned properly	Tune agitator with desired agitator tip
	Pump worn	Repair/Replace pump
Little or No Discharge	Pump not Primed	Re-Prime Pump
	Impeller Plugged/Damaged	Clean impeller or replace if necessary
	Suction or Discharge Valve Closed	Open Valve
	Agitation valve is open	Slightly close agitation valve to desired pressure
	Strainer Clogged	Remove strainer and clean
Pump Leaks	Suction Line Obstructed	Clear Obstruction
	Worn out seal	Replace seal
Excessive Vibration or Noisy Pump	Partial Impeller Clog/Imbalance	Remove Obstruction
	Broken or Bent Impeller	Replace if Necessary
	Partially clogged strainer	Clean strainer
	Pump Cavitation	Review Intake System, Correct Problems
	Air leak in suction hose	Inspect suction hose - replace if necessary
Pump Runs, but Low Pressure	Debris in suction line	Clear debris
	Hose kinked	Straighten or replace hose if necessary
	Strainer clogged	Clean strainer
Pump Does Not Produce Rated Flow	Air Leak	Replace Gasket, Tighten Connections
	Impeller Partially Clogged	Remove Obstruction
	Worn or Damaged Impeller	Inspect/Replace if Necessary
	By-pass open too much	Close slightly
Loss of Suction	Air Leak in Suction Line	Repair or Replace
	Insufficient Inlet Pressure	Increase Inlet Pressure
Engine will not start	Engine will not start	See engine owner's manual

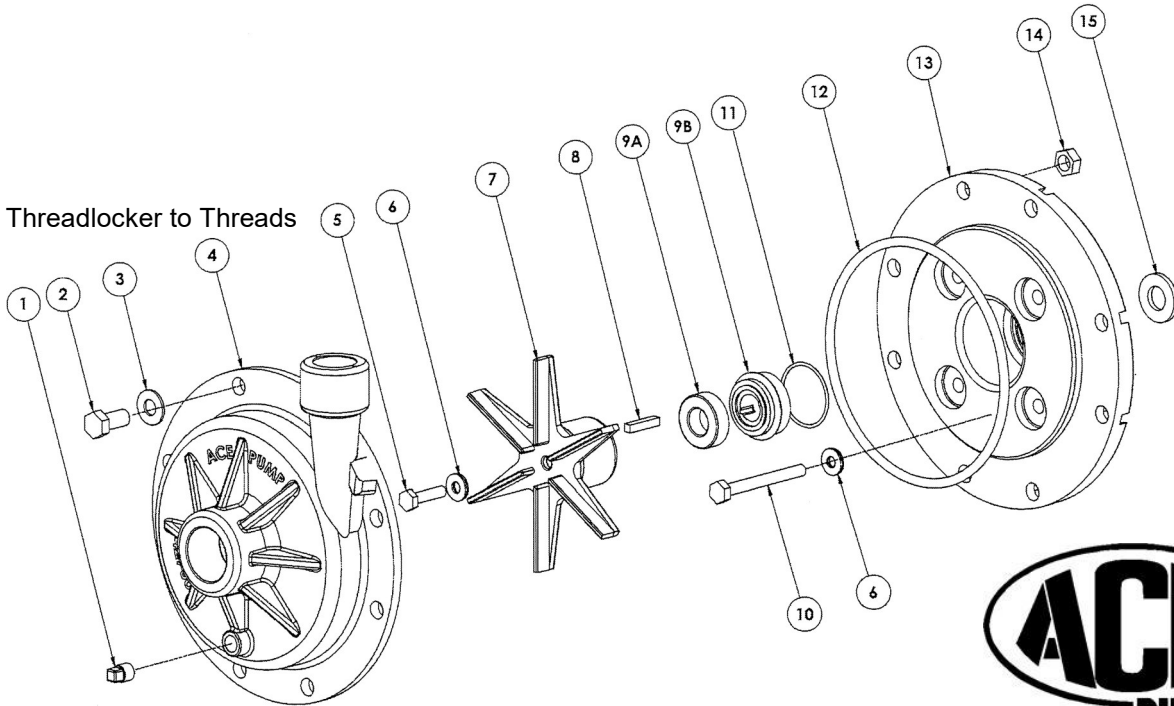
Polypropylene Gas Engine Driven Centrifugal Pump

- Barske Tall Blade Impeller Design - Higher Pressures at Standard Engine Speeds
- Suction 1" NPT x Discharge 3/4" NPT
- Max. Pressure 57 PSI and Max. Flow 22.5 GPM
- Impeller Attaches Directly to 3/4" Keyed Shaft Engine
- Standard Viton® Carbon/Ceramic Seal
- All Polypropylene Corrosion Resistant Construction



STOP WARNING STOP
DO NOT USE PUMP IN AN EXPLOSIVE ENVIRONMENT. DO NOT USE TO PUMP FLAMMABLE/COMBUSTIBLE FLUIDS. GASOLINE, KEROSENE, FUEL, OIL, ETC.

Apply Threadlocker to Threads



Ref. #:	Part #	Description:	Qty.:
1	BAC-53-P	Pipe Plug, 1/8" NPT	1
2	80250	Cap Screw, 3/8"-16 x 7/8" Hex Head	8
3	42701	Flat Washer, 3/8"	8
4	42700	Volute, 3/4" x 1", Polypropylene	1
5	GE-60-SS	Cap Screw, 5/16" NF x 3/4", Hex SS	1
6	**	Sealing Washer	5
7	GE-26-85	Polypropylene Impeller w/Keyway	1
8	N/A	Key, 3/16" x 3/16" x 15/16"	1
9	**	Seal, 3/4" Carbon/Ceramic/Viton® Type Rubber	1
10	N/A	Cap Screw, 5/16" NF x 2-1/4"	4
11	**	O-Ring, Shaft Seal	1
12	**	O-Ring, Volute Seal	1
13	5038921	Bracket, Polypropylene	1
14	5006223	Hex Nut, 3/8"	8
15	5108028	Slinger	1
	**	Threadlocker, Removable	

** = Only Available in Repair Kit #RK-GE-85

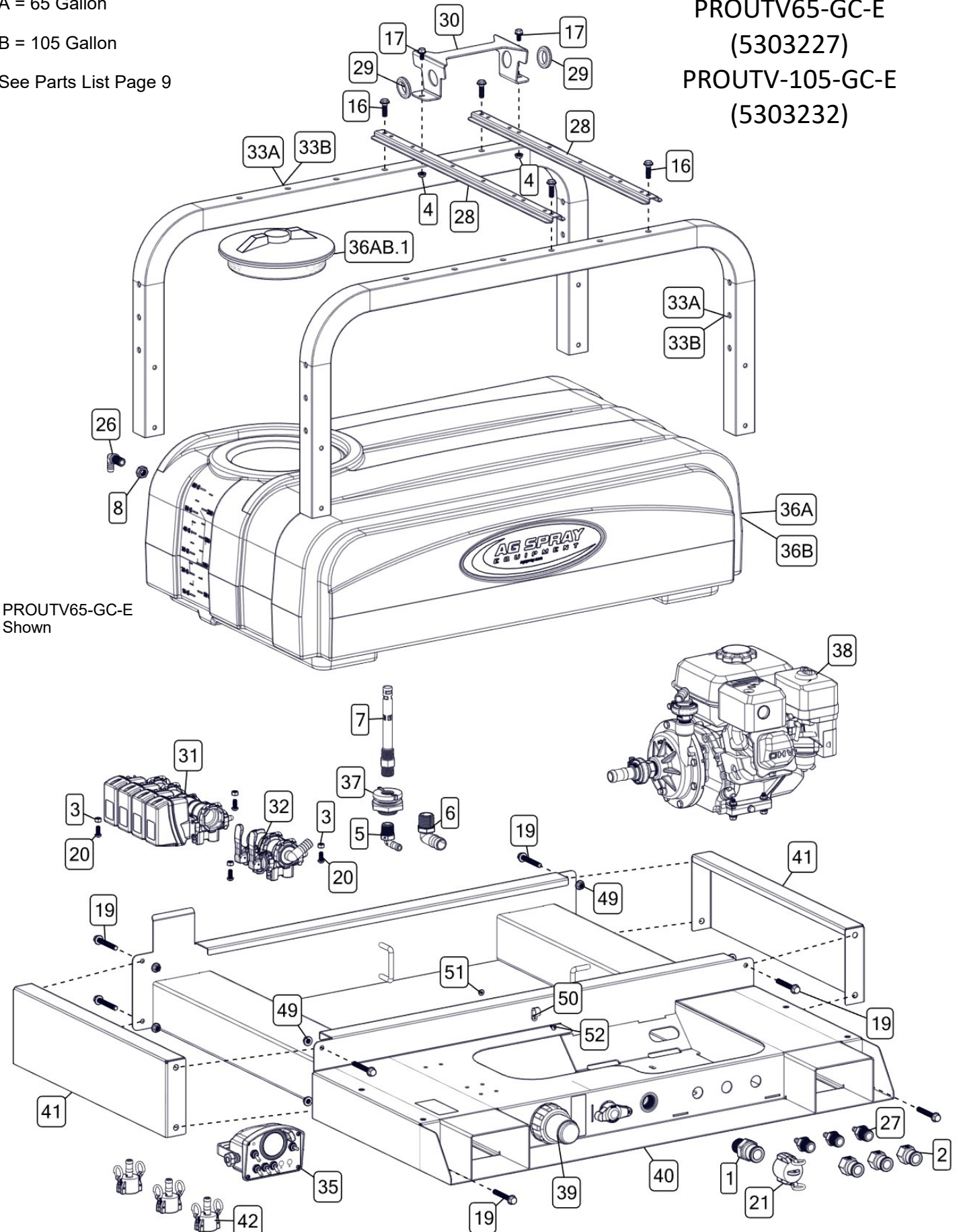
Legend:

A = 65 Gallon

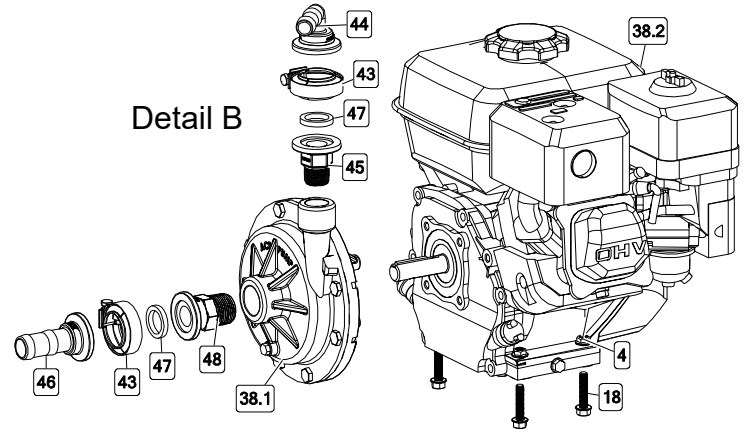
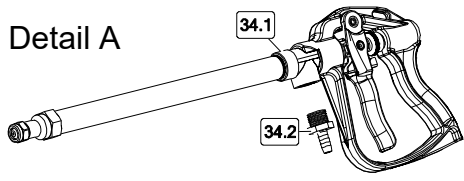
B = 105 Gallon

See Parts List Page 9

Exploded View:
PROUTV65-GC-E
(5303227)
PROUTV-105-GC-E
(5303232)



PROUTV65-GC-E
Shown



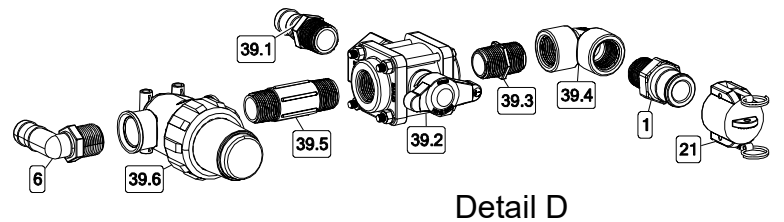
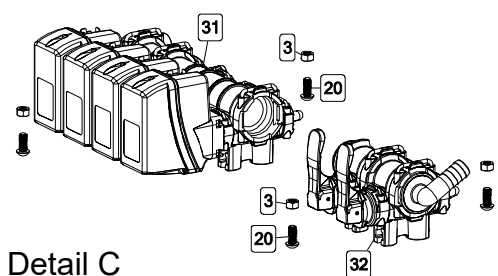
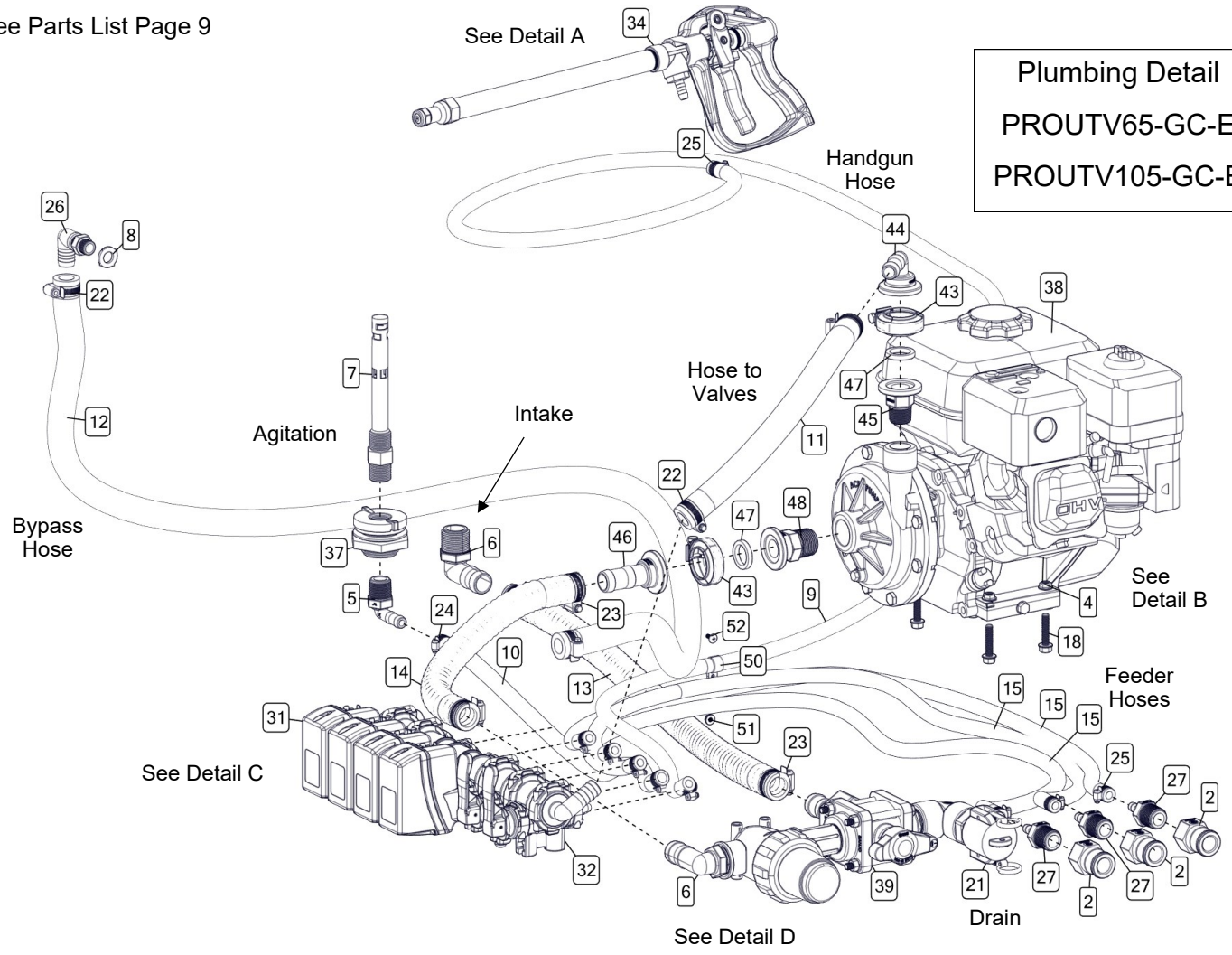
Legend:

A = 65 Gallon

B = 105 Gallon

See Parts List Page 9

Plumbing Detail
PROUTV65-GC-E
PROUTV105-GC-E



Exploded View: PROUTV65-GC-E (5303227) & PROUTV-105-GC-E (5303232)

Ref. #	Part #	Description	65-GC-E	105-GC-E
1	5005141	Banjo 1" Male Camlock x 1" MNPT Adapter	1	1
2	5005156	Banjo 3/4" Male Camlock x 3/4" FPT Adapter	3	3
3	5006040	5/16-18 Hex Nut	4	4
4	5006307	5/16-18 Serrated Fling Hex Nut	6	6
5	5010332	Banjo 3/4" MPT x 1/2" 90° HB	1	1
6	5010336	Banjo 1" MPT x 1" 90° HB	2	2
7	5014014	3/4" Jet Agitator	1	1
8	5016066	1" Rubber Washer	1	1
9	5020099	Hose, 3/8"-2 Brd. x 25 Ft.	1	1
10	5020162	Hose, 1/2"-2 Brd. x 36"	1	1
11	5020247	Hose, 3/4"-1 Brd. x 18"	1	1
12	5020976	Hose, 3/4"-2 Brd. x 83"	1	1
13	5020964	Hose, 1" x 36" KF1300BLK	1	1
14	5020965	Hose, 1" x 18" KF1300BLK	1	1
15	5020969	Hose, 3/8" - 2 Brd x 4'	3	3
16	5034592	3/8-16 x 1.25 Fling Hex Bolt	4	4
17	5034634	5/16-18 x 0.625 Fling Hex Bolt	2	2
18	5034638	5/16-18 x 1.50 Fling Hex Bolt (Full Thread)	4	4
19	5034668	3/8-16 x 2.75 Fling Hex Bolt (Full Thread)	8	8
20	5034867	5/16"-18 X 3/4" Button Head Screw	4	4
21	5046077	Banjo 1" - 1 1/4" Female Camlock Dust Cap	1	1
22	5051024	Hose Clamp, 3/4"	4	4
23	5051025	Hose Clamp, 1"	4	4
24	5051114	Hose Clamp (3/8"-1/2")	2	2
25	5051144	Hose Clamp (3/8")	8	8
26	5056097	Poly Elbow, 11/16" MPS x 3/4" HB	1	1
27	5067181	Banjo 3/4" MPT x 3/8" HB	3	3
28	5070152	Pro UTV Mounting Strut	2	2
29	5075014	Rubber Grommet (Black)	2	2
30	5078833	Handgun Bracket	1	1
31	5143554	ARAG Electronic Control Manifold Assembly	1	1
32	5143557	Handgun/Agitation 2 SEC Valve Assembly	1	1
33A	5144150	65 Gallon Hoop	2	--

Ref. #	Part #	Description	65-GC-E	105-GC-E
33B	5144151	105 Gallon Hoop	--	2
34	5163150	22" HP Spray Gun with 3/8" Hose Barb	1	1
34.1	5163136	High Pressure Aluminum Spray Gun 22"	1	1
34.2	5067130	Poly Fitting, 1/2" MNPT x 3/8" HB	1	1
35	5164315	3 Section Electric Control Kit w/Harness	1	1
36A	5169356	65 Gallon Pro UTV Tank (Yellow)	1	--
36AB.1	60032	Norvesco 8" Lid w/Vent & Ring Assembly	1	1
36B	5169358	105G PRO UTV TANK, YELLOW	--	1
37	5273736	3/4" Double-Threaded Poly Bulkhead Fitting	1	1
38	5281838	Ace GE-85 Poly Pump w/GX160 Honda Engine	1	1
38.1	5151138	Poly Engine Driven Pump 3/4" x 1" (GE-85-LE)	1	1
38.2	5152058	Honda Engine, 160cc (OHV) (Less Gear Reduction)	1	1
39	5281959	Pro UTV Valve/Strainer Assembly, Gas	1	1
39.1	5067187	Banjo 1" MPT x 1" HB	1	1
39.2	BJBLV100	Banjo 1" 3-Way Bottom Load Poly Valve	1	1
39.3	5011201	Banjo 1" MPT x 1" MPT - Short Poly Pipe Nipple	1	1
39.4	5010316	Banjo 1" FPT x 1" FPT 90° Poly Elbow	1	1
39.5	5011166	Banjo 1" MPT x 1" MPT - 4" Poly Pipe Nipple	1	1
39.6	5116475	Line Filter, 1" FNPT, 50 Mesh	1	1
40	5281970	Pro UTV Frame Weldment, Gas	1	1
41	5058227	Pro UTV Frame Side Cover	2	2
42	BJ050C	b3/4" female camlock, 1/2" hb	3	3
43	BJFC100	1000 Series Manifold Flange Clamp-Worm Screw	2	2
44	M100075BRB90	Banjo 1" Manifold Flange x 3/4" 90° HB	1	1
45	M100075MPT	Banjo 1" Manifold Flange x 3/4" MPT	1	1
46	M100BRB	Banjo 1" Manifold Flange x 1" HB	1	1
47	M100GV	Banjo 1" FKM (Viton Type) Manifold Flange Gasket	2	2
48	M100MPT	Banjo 1" Manifold Flange x 1" MPT	1	1
49	5006259	3/8-16 Serrated Fling Hex Nut	8	8
50	5051122	5/8" Black Nylon Loom Cable Clamp	1	1
51	5006186	#10-24 Serrated Fling Hex Nut	1	1
52	5117234	#10-24 x 0.50 PH Truss Head Screw	1	1

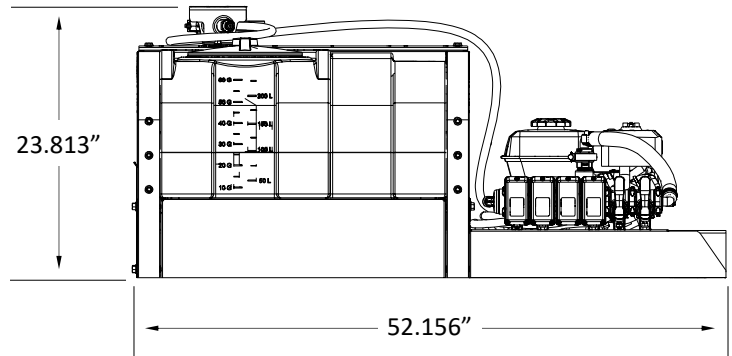
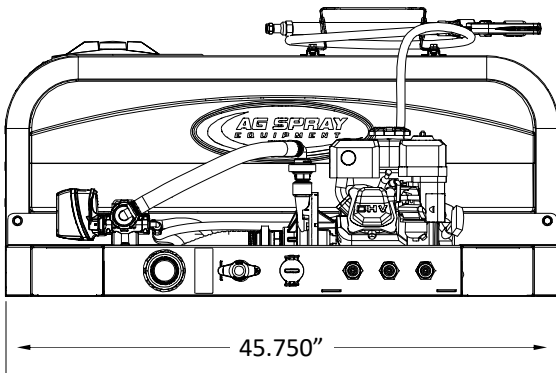
Legend:

A = 65 Gallon

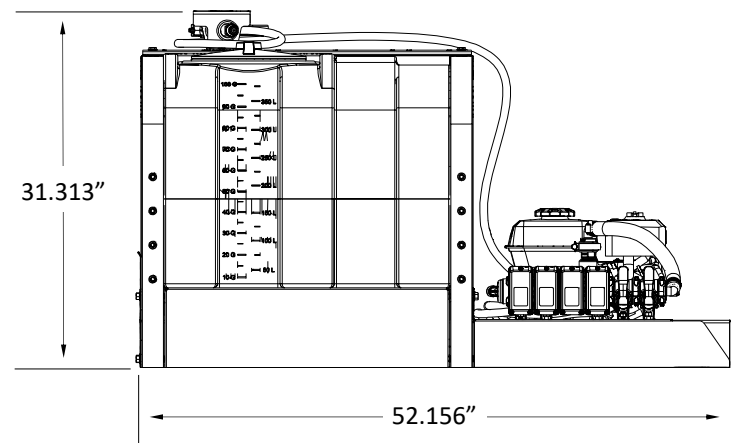
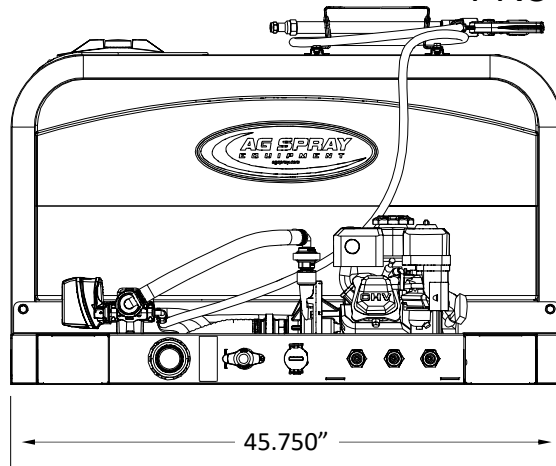
B = 105 Gallon

Dimensions:

PROUTV65-GC-E (5303227)



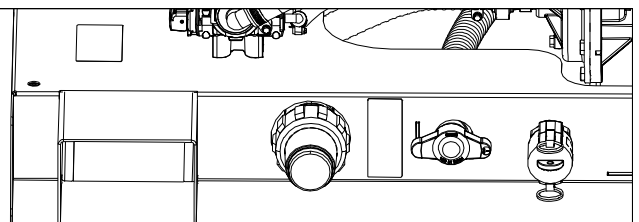
PROUTV105-GC-E (5303232)



There is a valve on the intake line. It is at this location so you can shut off the flow of solution to access your system's filter screen for cleaning.

Checking/Cleaning the sprayer's filter/screen:

- ◆ Start your pump and before it shuts off, reach down and shut the valve to the 'Closed' position, then shut off your pump.
- ◆ Unscrew the bowl of the filter to access the screen.
- ◆ Remove the screen and clean as necessary. Replace when done and reassemble the entire assembly.
- ◆ Make sure the valve is turned to the 'Open' position before restarting your pump.



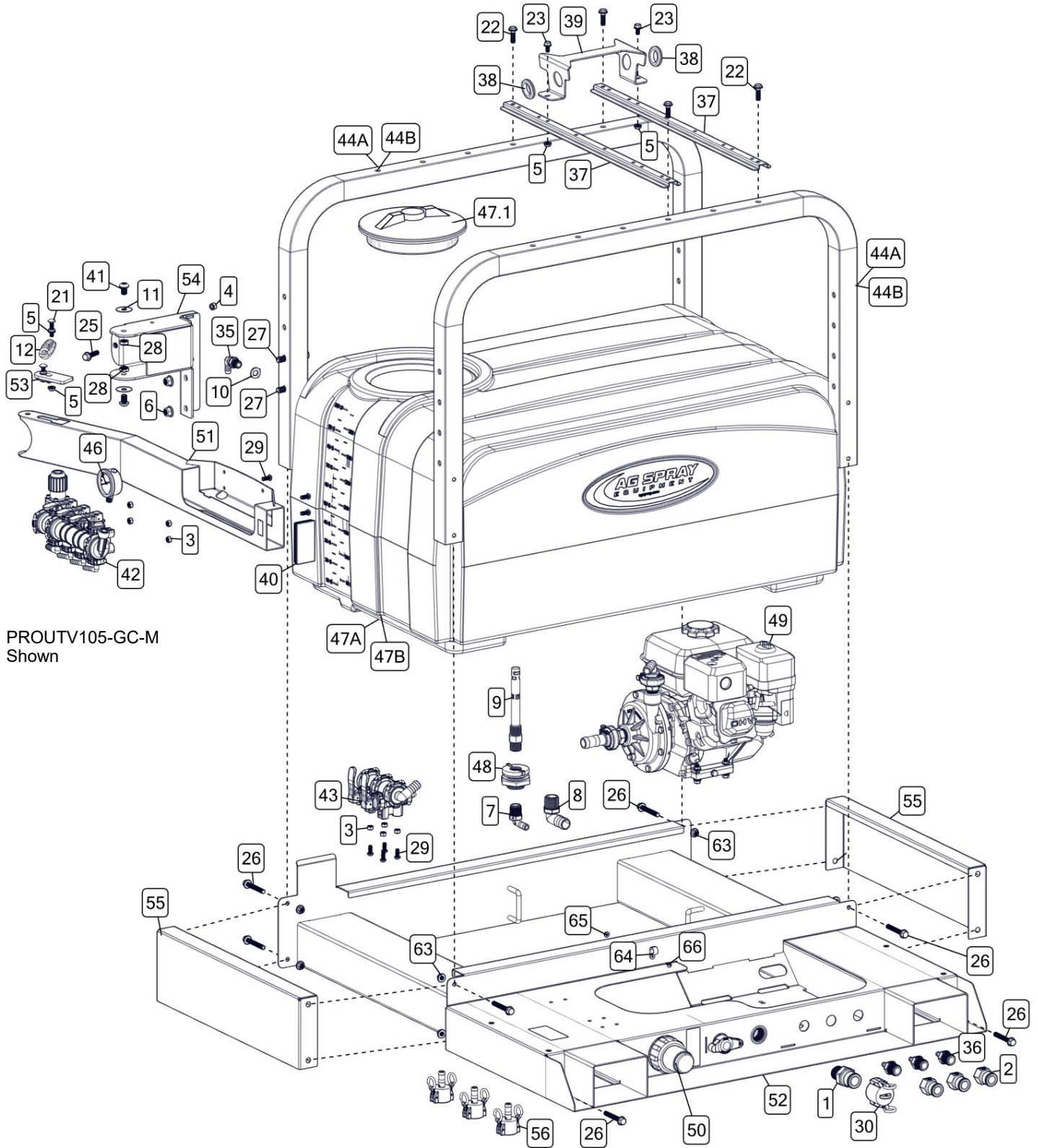
Legend:

A = 65 Gallon

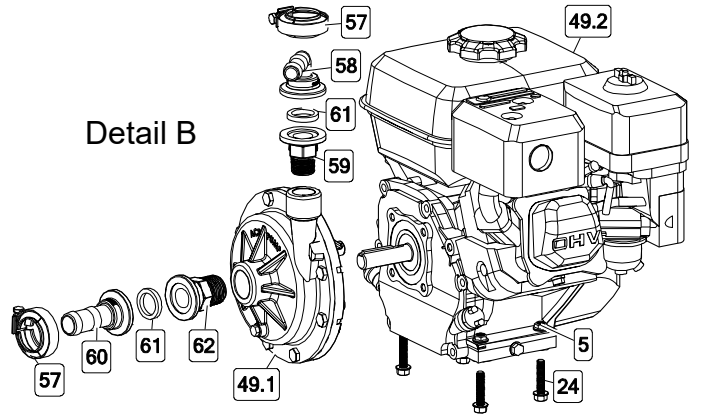
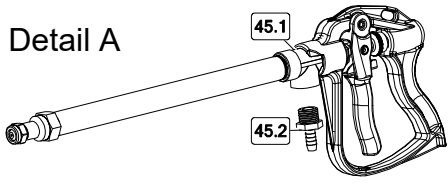
B = 105 Gallon

See Parts List Page 13

Exploded View:
PROUTV65-GC-M
(5303226)
PROUTV-105-GC-M
(5303231)



PROUTV105-GC-M
Shown

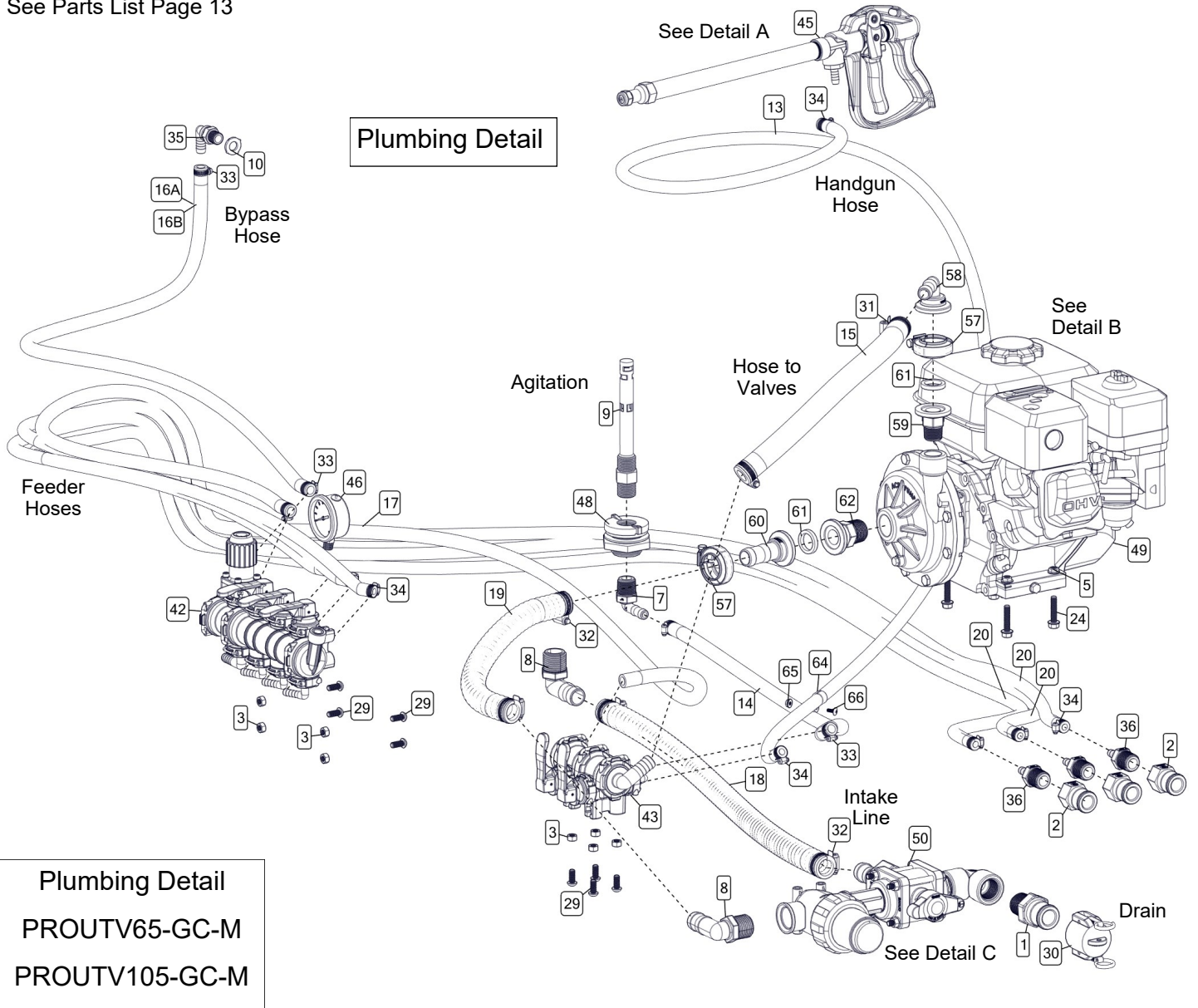


Legend:

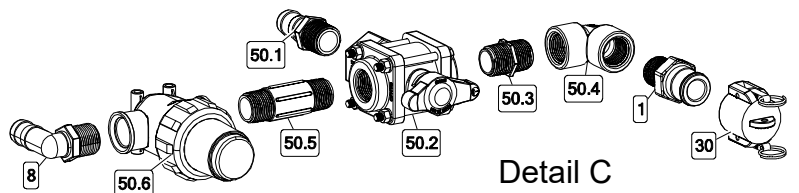
A = 65 Gallon

B = 105 Gallon

See Parts List Page 13



Plumbing Detail
 PROUTV65-GC-M
 PROUTV105-GC-M



Exploded View: PROUTV65-GC-M (5303226) & PROUTV-105-GC-M (5303231)

Ref. #	Part #	Description	65-GC-M	105-GC-M
1	5005141	Banjo 1" Male Camlock x 1" MNPT Adapter	1	1
2	5005156	Banjo 3/4" Male Camlock x 3/4" FPT Adapter	3	3
3	5006040	5/16-18 Hex Nut	8	8
4	5006054	3/8-16 Hex Nut	1	1
5	5006307	5/16-18 Serrated Flng Hex Nut	8	8
6	5006399	1/2-13 Flng Top-Lock Hex Nut	2	2
7	5010332	Banjo 3/4" MPT x 1/2" 90° HB	1	1
8	5010336	Banjo 1" MPT x 1" 90° HB	2	2
9	5014014	3/4" Jet Agitator	1	1
10	5016066	1" Rubber Washer	1	1
11	5016321	Nylon Flat Washer .5 ID, 1.5 OD	2	2
12	5019759	4" Tapered Extension Spring, Zinc Plated	1	1
13	5020099	Hose, 3/8"-2 Brd. x 25 Ft.	1	1
14	5020162	Hose, 1/2"-2 Brd. x 36"	1	1
15	5020247	Hose, 3/4"-1 Brd. x 18"	1	1
16A	5020162	Hose, 1/2"-2 Brd. x 36"	1	--
16b	5020298	Hose, 1/2"-2 Brd. x 48"	--	1
17	5020963	Hose, 1/2"-2 Brd. x 9"	1	1
18	5020964	Hose, 1" x 36" KF1300BLK	1	1
19	5020965	Hose, 1" x 18" KF1300BLK	1	1
20	5020968	Hose, 3/8"-2 Brd x 10'	3	3
21	5034477	5/16-18 x 1.50 Carriage Bolt	1	1
22	5034592	3/8-16 x 1.25 Flng Hex Bolt	4	4
23	5034634	5/16-18 x 0.625 Flng Hex Bolt	2	2
24	5034638	5/16-18 x 1.50 Flng Hex Bolt (Full Thread)	4	4
25	5034663	3/8-16 x 1.50 Flng Hex Bolt	1	1
26	5034668	3/8-16 x 2.75 Flng Hex Bolt (Full Thread)	8	8
27	5034697	1/2-13 x 2.75 Flng Hex Bolt (Full Thread)	2	2
28	5034863	1/2-13 Low Profile Nylon Lock Nut	2	2
29	5034867	5/16"-18 x 3/4" Button Head Screw	8	8
30	5046077	Banjo 1" - 1 1/4" Female Camlock Dust Cap	1	1
31	5051024	Hose Clamp (3/4")	2	2
32	5051025	Hose Clamp (1")	4	4
33	5051114	Hose Clamp (3/8"-1/2")	6	6
34	5051144	Hose Clamp (3/8")	8	8
35	5056095	Poly Elbow, 11/16" MPS x 1/2" HB	1	1
36	5067181	Banjo 3/4" MPT x 3/8" HB	3	3
37	5070152	Pro UTV Mounting Strut	2	2
38	5075014	Rubber Grommet (Black)	2	2
39	5078833	Handgun Bracket	1	1
40	5102137	Rectangle Cap Plug, 2" x 4"	1	1

Legend:

A = 65 Gallon

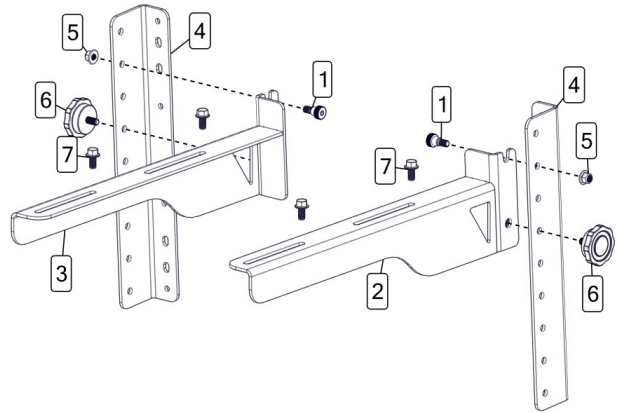
B = 105 Gallon

Ref. #	Part #	Description	65-GC-M	105-GC-M
41	5117351	1/2-13 x 3/4" Button Head Screw	2	2
42	5143555	Regulator Valve 3-Section Valve Assembly	1	1
43	5143557	Handgun/Agitation 2 SEC Valve Assembly	1	1
44A	5144150	65 Gallon Hoop	2	--
44B	5144151	105 Gallon Hoop	--	2
45	5163150	22" HP Spray Gun with 3/8" Hose Barb	1	1
45.1	5163136	High Pressure Aluminum Spray Gun 22"	1	1
45.2	5067130	Poly Fitting, 1/2" MNPT x 3/8" HB	1	1
46	5167031	Gauge, Liquid-Filled, 0-100 PSI	1	1
47A	5169356	65 Gallon Pro UTV Tank (Yellow)	1	1
47AB.1	60032	Norwesco 8" Lid w/Vent & Ring Assembly	1	1
47B	5169358	105 Gallon Pro UTV Tank (Yellow)	--	1
48	5273736	3/4" Double-Threaded Tank Bulkhead Fitting	1	1
49	5281838	Ace GE-85 Poly Pump w/GX160 Honda Engine	1	1
49.1	5151138	Poly Engine Drive Pump, 3/4" x 1" (GE-85-LE)	1	1
49.2	5152058	Honda Engine, 160cc (OHV) (Less Gear Reduction)	1	1
50	5281959	Pro UTV Valve/Strainer Assembly, Gas	1	1
50.1	5067187	1" NPT Thread x 1" HB	1	1
50.2	BJBLV100	Banjo 1" 3-Way Bottom Load Poly Valve	1	1
50.3	5011201	Banjo 1" MPT x 1" MPT - Short Poly Pipe Nipple	1	1
50.4	5010316	Banjo 1" FPT x 1" FPT 90° Poly Elbow	1	1
50.5	5011166	Banjo 1" MNPT x 1" MNPT - 4" Poly Pipe Nipple	1	1
50.6	5116475	Line Filter, 1" FNPT, 50 Mesh	1	1
51	5281969	Manual Control Arm Weldment	1	1
52	5281970	Pro UTV Frame Weldment, Gas	1	1
53	5281971	Control Arm Detent Plate	1	1
54	5281972	Manual Control Arm Mount Weldment	1	1
55	5058227	Pro UTV Frame Side Cover	2	2
56	BJ050C	b3/4" female camlock, 1/2" hb	3	3
57	BJFC100	1000 Series Manifold Flange Clamp - Worm Screw	2	2
58	M100075BRB90	Banjo 1" Manifold Flange x 3/4" 90° HB	1	1
59	M100075MPT	Banjo 1" Manifold Flange x 3/4" MPT	1	1
60	M100BRB	Banjo 1" Manifold Flange x 1" HB	1	1
61	M100GV	Banjo 1" FKM (Viton Type) Manifold Flange Gasket	2	2
62	M100MPT	Banjo 1" Manifold Flange x 1" MPT	1	1
63	5006259	3/8-16 Serrated Flng Hex Nut	8	8
64	5051122	5/8" Black Nylon Loom Cable Clamp	1	1
65	5006186	#10-24 Serrated Flng Hex Nut	1	1
66	5117234	#10-24 x 0.50 PH Truss Head Screw	1	1

PRO UTV Boom Mount Kit for Gas Units

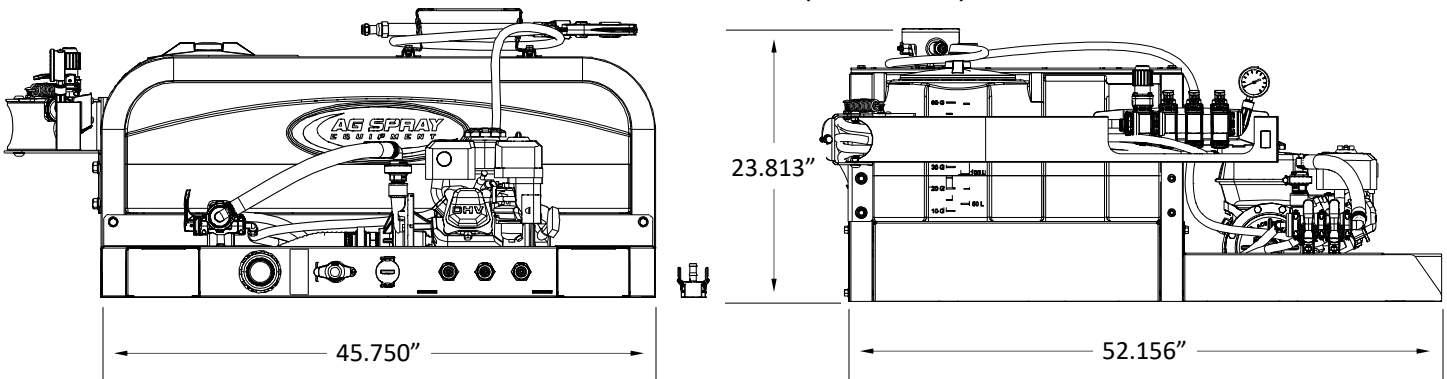
PROUTV-BMKIT (5282426)

Ref. #	Part #	Description	Qty
1	5034868	Shoulder Bolt, 1/2" Dia, 3/8" Length, 3/8"-16 Thread	2
2	5095991-BLK	LH Boom Mount	1
3	5095992-BLK	RH Boom Mount	1
4	5070161-BLK	479/PX Boom Mount Bracket	2
5	5006345	3/8-16 Flng Top-Lock Hex Nut	2
6	5088027	8 Lobe Plastic Knob, 3/8"-16 Thread	2
7	5034660	3/8-16 x 0.75 Flng Hex Bolt	4

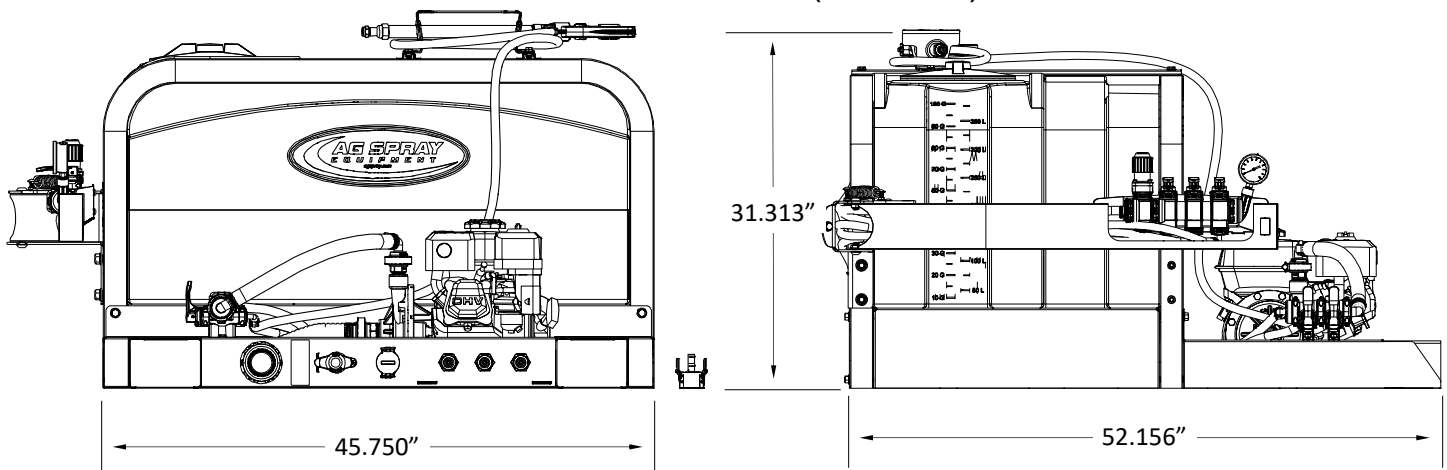


Dimensions:

PROUTV65-GC-M (5303226)



PROUTV105-GC-M (5303231)

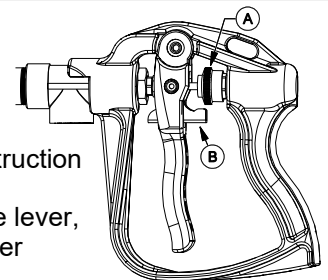


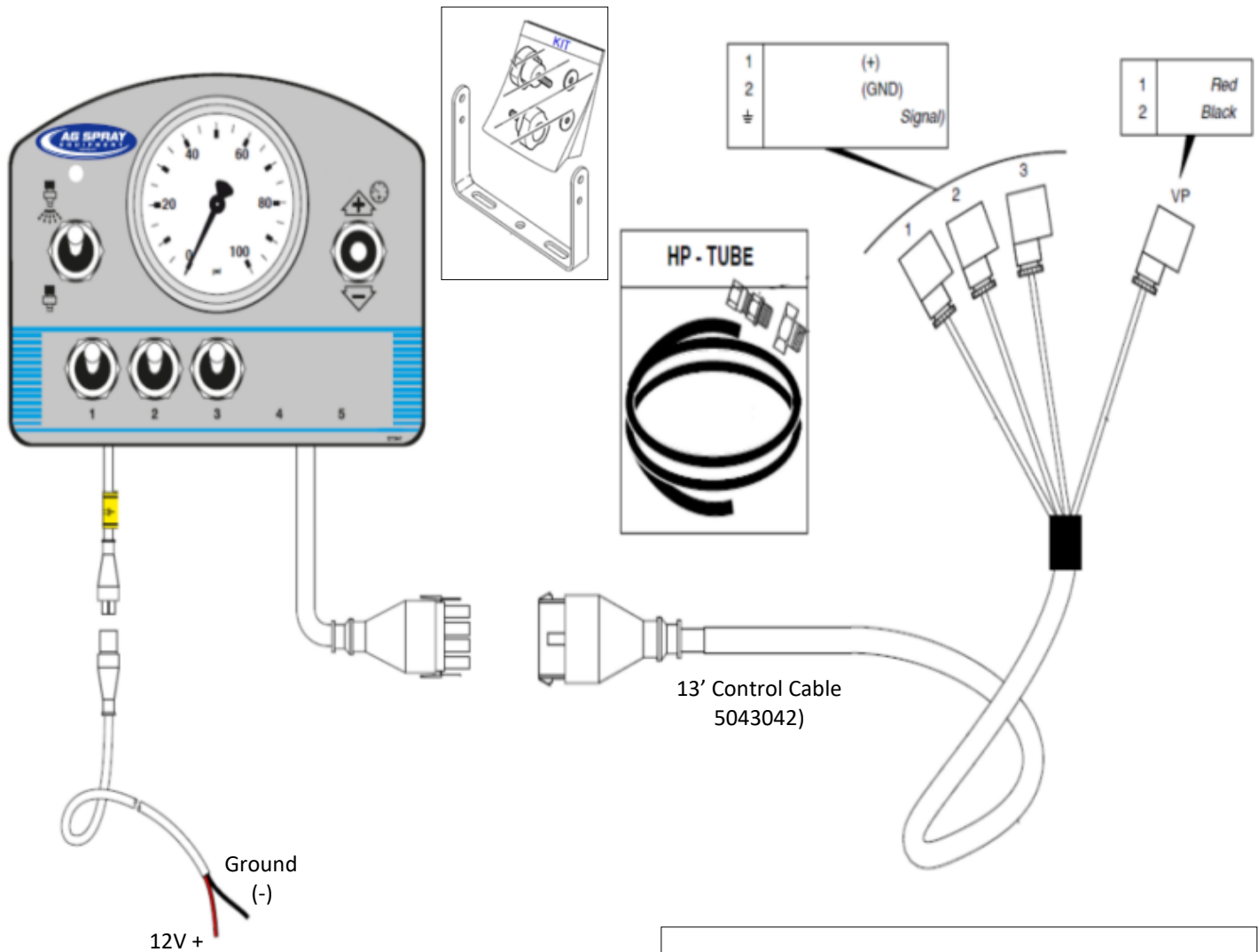
PRO SERIES Long Range Ergonomic Handguns

Technical Specifications:

- Adjustable Spray Pattern
- Aluminum Barrel
- No Drip Shut Off
- Convenient Hanger Hole
- Integrated Trigger Lock
- 600 PSI, 8 GPM
- 38' Horizontal, 27' Vertical Maximum Spray Distance
- Chemical Resistant Construction
- Adjustable On/Off Trigger Stop for Precise Spray Pattern

To adjust the spray pattern, the nut needs to be adjusted (Ref. A). Spinning it off, towards the lever, will make a cone pattern and spinning it on, away from the lever, will make a stream. The lever (Ref. B), is the lock that can be used to lock the lever when pulled, holding the valve open. Squeezing the trigger, will release the lock.






PRO UTV with Electric Control will require the control box be connected to 12VDC.

Install the control box in a convenient place within reach of the operator by bolting the control box mounting bracket to the vehicle.


Route the wiring harness and pressure tubing away from excessive heat and avoid pinching.

Plug control box harness to control cable, push pressure tubing into the back of the pressure gauge connection port.


OPTIONAL



Pressure Tube Coupling



Pressure Tubing Extension 4



9' Extension Cable

Item #	Description
5043043	Extension Cable 9 Feet
5100968	*Pressure Tubing 4 MM Extension 18 Feet
5057220	*Pressure Tubing Coupling 4 MM

(*If an extension cable is needed, the pressure tubing extension and coupler will also be required)

Warranty

LIMITED WARRANTY FOR NEW AG SPRAY EQUIPMENT

WHO MAY USE THIS LIMITED WARRANTY. This limited warranty (the "Limited Warranty") is provided by Ag Spray Equipment to the original purchaser ("you") of the Equipment (as defined below) from Ag Spray Equipment or one of Ag Spray Equipment's authorized dealers. This Limited Warranty does not apply to any subsequent owner or other transferee of the Equipment. THIS LIMITED WARRANTY GIVES YOU SPECIFIC LEGAL RIGHTS, AND YOU MAY ALSO HAVE OTHER RIGHTS WHICH VARY FROM STATE TO STATE.

WHAT THIS LIMITED WARRANTY COVERS AND FOR HOW LONG. Ag Spray Equipment warrants that any new Equipment will be free from defects in material and workmanship for a period of **one (1) year** (homeowner), **90 days** (commercial user), after delivery of the Equipment to you (the "Warranty Period"). Warranty Period is not extended if Ag Spray Equipment repairs or replaces the Equipment.

WHAT IS NOT COVERED BY THIS LIMITED WARRANTY. This Limited Warranty does not apply to: (1) used Equipment; (2) any Equipment that has been altered, changed, repaired or treated since its delivery to you, other than by Ag Spray Equipment or its authorized dealers; (3) damage or depreciation due to normal wear and tear; (4) defects or damage due to failure to follow Ag Spray Equipment's operator's manual, specifications or other written instructions, or improper storage, operation, maintenance, application or installation of parts; (5) defects or damage due to misuse, accident or neglect, "acts of God" or other events beyond Ag Spray Equipment's reasonable control; (6) accessories, attachments, tools or parts that were not manufactured by Ag Spray Equipment, whether or not sold or operated with the Equipment; or (7) rubber parts, such as tires, hoses and grommets.

HOW TO OBTAIN WARRANTY SERVICE. To obtain warranty service under this Limited Warranty, you must (1) provide written notice to Ag Spray Equipment of the defect during the Warranty Period and within **thirty (30)** days after the defect becomes apparent or the repair becomes necessary, at the following address: Ag Spray Equipment, 1000 Fimco Lane, North Sioux City, SD 57049; and (2) make the Equipment available to Ag Spray Equipment or an authorized dealer within a reasonable period of time. For more information about this Limited Warranty, please call: **800-274-1025** or your local Ag Spray location.

WHAT REMEDIES ARE AVAILABLE UNDER THIS LIMITED WARRANTY. If the conditions set forth above are fulfilled and the Equipment or any part thereof is found to be defective, Ag Spray Equipment shall, at its own cost, and at its option, either repair or replace the defective Equipment or part. Ag Spray Equipment will pay for shipping and handling fees to return the repaired or replacement Equipment or part to you.

LIMITATION OF IMPLIED WARRANTIES AND OTHER REMEDIES. THE REMEDIES DESCRIBED ABOVE ARE YOUR SOLE AND EXCLUSIVE REMEDIES, AND AG SPRAY EQUIPMENT'S SOLE LIABILITY, FOR ANY BREACH OF THIS LIMITED WARRANTY. TO THE EXTENT APPLICABLE, ANY IMPLIED WARRANTIES, INCLUDING, WITHOUT LIMITATION, THE IMPLIED WARRANTIES OF MERCHANTABILITY AND FITNESS FOR A PARTICULAR PURPOSE, SHALL BE LIMITED IN DURATION TO THE WARRANTY PERIOD, AND THE REMEDIES AVAILABLE FOR BREACH THEREOF SHALL BE LIMITED TO THE REMEDIES AVAILABLE UNDER THIS EXPRESS LIMITED WARRANTY. SOME STATES DO NOT ALLOW LIMITATIONS ON HOW LONG AN IMPLIED WARRANTY LASTS, SO THE ABOVE LIMITATION MAY NOT APPLY TO YOU. IN NO EVENT SHALL AG SPRAY EQUIPMENT'S LIABILITY UNDER THIS LIMITED WARRANTY EXCEED THE ACTUAL AMOUNT PAID BY YOU FOR THE DEFECTIVE EQUIPMENT, NOR SHALL AG SPRAY EQUIPMENT BE LIABLE, UNDER ANY CIRCUMSTANCES, FOR ANY CONSEQUENTIAL, INCIDENTAL, SPECIAL OR PUNITIVE DAMAGES OR LOSSES, WHETHER DIRECT OR INDIRECT. SOME STATES DO NOT ALLOW THE EXCLUSION OR LIMITATION OF INCIDENTAL OR CONSEQUENTIAL DAMAGES, SO THE ABOVE LIMITATION OR EXCLUSION MAY NOT APPLY TO YOU.